



**Perfect:
Self-contained
powered by
solar energy!**



JOURNAL



Newspaper Vending Machine SV-ND

Technical details

Capacity

- Stacking height of 13.0inch

Newspaper format

- Max. size 12.6 x 15.7inch
- Min. size 5.9 x 8.3inch
- Max. thickness 0.4inch

Coin insertion

- MDB coin system
- 3 different prices programmable
- Free vend

Features

- Outdoor, solar operated, fully automatic machine
- Newspaper delivery by needle drive
- Powder coated steel cabinet
- Weather resistant primary coat
- Standard colour RAL 3020 (traffic red)
- Splash water protected
- Programmable microprocessor control unit with data storage, test and service programs
- Programming and data retrieval by chip card
- Show window for actual newspaper made from durable Makrolon
- Easy change of actual newspaper in the showcase
- Retaining rail for different newspaper sizes, easy adjustment for all formats
- Price labels for different prices
- Overpayment possible
- LCD display
- Working temperature: -68°F up to +122°F

Optional

- Lockable cash box
- Advertising imprint
- Special RAL colours available
- Power supply unit

Power supply

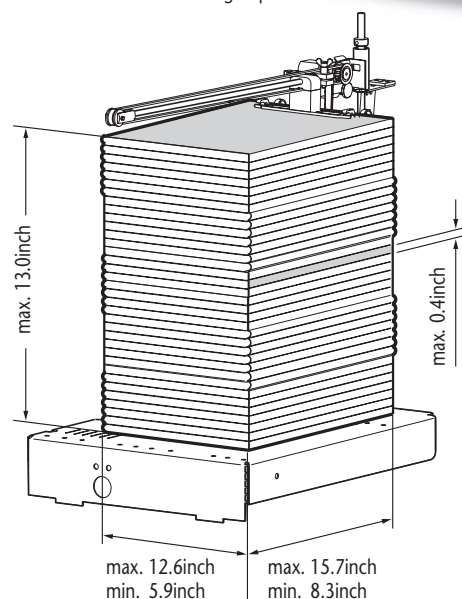
- Solar cell with backup battery

Dimensions

- Height incl. base 48.8inch
- Width 30.9inch
- Depth 13.8inch
- Weight approx. 154lbs



SV-ND with advertising imprint



GERMANY
Deutsche Wurlitzer GmbH
Wurlitzerstraße 6
D-32609 Hüllhorst
Tel.: +49 (0)5744 941-0
Fax: +49 (0)5744 941-220
www.deutsche-wurlitzer.de
contact@deutsche-wurlitzer.de

GREAT BRITAIN
Deutsche Wurlitzer UK
13 Moorbrook
Southmead Industrial Estate
Didcot, Oxfordshire, OX11 7HP
Tel.: +44 (0)1235 813400
Fax: +44 (0)1235 811109
www.deutsche-wurlitzer-uk.com
info@deutsche-wurlitzer-uk.com

USA
Wurlitzer Jukebox
and Vending, Inc.
1341 Estes Street
Gurnee, Illinois 60031
Tel.: +1 847 662 1700
Fax: +1 847 662 1212
www.dw-usa.net
info@dw-usa.net